

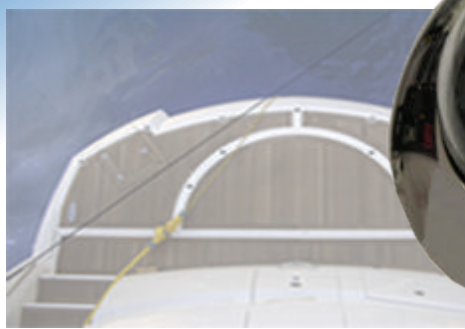


## Docking & Monitoring CCTV Cameras

### SSMIC01-HD Ultra Hi-Resolution Stainless Steel Mini Dome Camera

#### Main Features Include:

- Ultra High Resolution 700 HTV Lines
- Ultra Compact Design
- Easy 3 Axis Adjustment Gimbal
- Wide Dynamic Range - WDR
- Low Light Level Sensitivity 0.1 Lux
- Machined from Stainless Steel 316L
- Choice of Lenses
- Flush or optional Surface Mount
- Rugged IP67 Waterproof Housing
- Power Source 12V DC



#### About the Mini Dome Camera:

The SSMIC01-HD camera has been designed for high end applications, where only the best will do. Constructed from the highest grade 316L stainless steel and hand polished to a mirror finish the look. This camera will easily blend into any application whether it is for internal or external use.

The SSMIC01-HD **IP67** rating means it will also withstand the extremes of all weather conditions associated within the marine environment.

Using state of the art technology this camera offers industry leading 700 HTVL effective resolution, low light and (WDR) wide dynamic range performance. This is combined with Motion Adaptive 3D Digital Noise Reduction to ensure the highest quality video image - even in the most challenging of lighting conditions.

*Specification may change without prior notice*

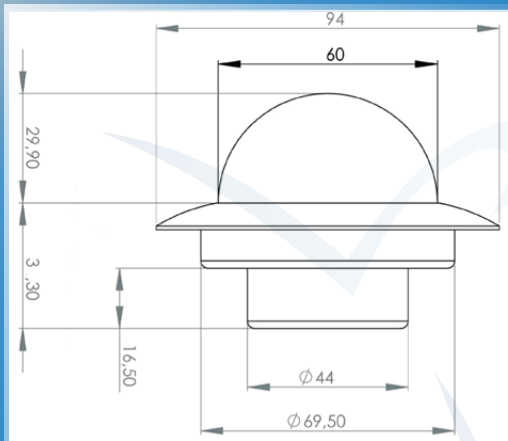




## Docking & Monitoring CCTV Cameras

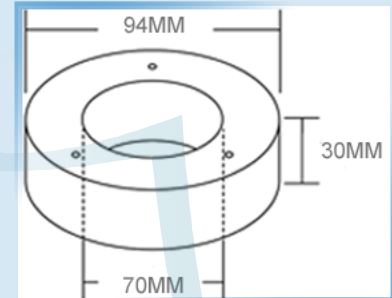
### SSMIC01-HD Ultra Hi-Resolution Stainless Steel Mini Dome Camera

#### Camera Dimensions



#### Mounting Adapter - Optional

Stainless Steel 316 surface mounting adapter raises the housing **30mm** to allow for a single cable hole - approximately **6mm**



#### Technical Data

##### Imaging

<b>Horizontal Resolution</b>	HTVL Effective*
<b>Vertical Resolution</b>	460 VTVL
<b>Dynamic Range</b>	120dB Max (102dB typical)
<b>Sensitivity</b>	0.1 lux min illumination (f1.2, 50 IRE 30fps, 2850k, Colour)
<b>Noise Reduction</b>	3D Motion Adaptive Noise Reduction (3D-DNR)
<b>SNR</b>	>50 Db max
<b>AGC</b>	Programmable up to 50dB
<b>Iris</b>	Fixed
<b>Back Light Compensation</b>	BLC On / Off
<b>Day / Night</b>	Software Day / Night B/W
<b>White Balance</b>	ATW, AWB, Manual

##### Lens

Focal Length Options	2.9mm	3.8mm	6mm	8mm	12mm
	F2.0	F2.0	F2.0	F2.0	F2.0
<b>Horizon FoV</b>	96.6°	71.5°	45.7°	34.6°	22.8°
<b>Vertical FoV</b>	71.9°	53.4°	34.0°	25.5°	17.2°
<b>Diagonal FoV</b>	122.1°	90.0°	57.8°	44.5°	28.5°

##### Video

<b>Video Standards</b>	NTSC / PAL (software selectable)
<b>Aspect Ratio</b>	4:3
<b>Analog Outputs</b>	CVBS 1.0v p-p, (75 ohm) - BNC
<b>Display Support</b>	CRT or LCD
<b>Synchronisation</b>	Internal
<b>Flicker Reduction</b>	On / Off
<b>Image Flip</b>	Horizontal

##### Sensor

<b>Type</b>	Digital Pixel System ®
<b>Capture</b>	Global Electronic Shutter
<b>Electronic Shutter Speed</b>	1/25 - 1/30, 720 second (f/1.2)
<b>Optical Format</b>	1/3" (6.3mm image diagonal)
<b>Total Pixels</b>	768 x 548 (420,864)
<b>Effective Pixels</b>	758 x 540 (409, 320)
<b>Colour Filter Array</b>	CMY + OLPF and IR Cut Filter
<b>Image Signal Processing</b>	32 Bit Image Processor

##### Power Supply

<b>Voltage</b>	12 VDC +/- 10%
<b>Power</b>	1.7W Max

##### Environmental

<b>Temperature</b>	-10 to +50°C (Operating)
<b>Humidity</b>	0~90% non-condensing (Operating)
<b>Ingress Protection</b>	IP67 when ceiling mounted

